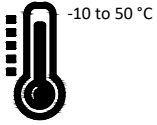


## Product Installation guide

IP67



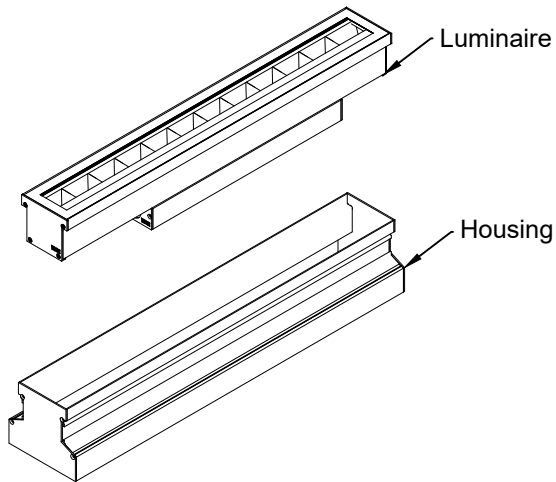
WORKING TEMPERATURE



MAKE SURE THE POWER IS OFF DURING INSTALLATION



Class 3  
48 VDC input

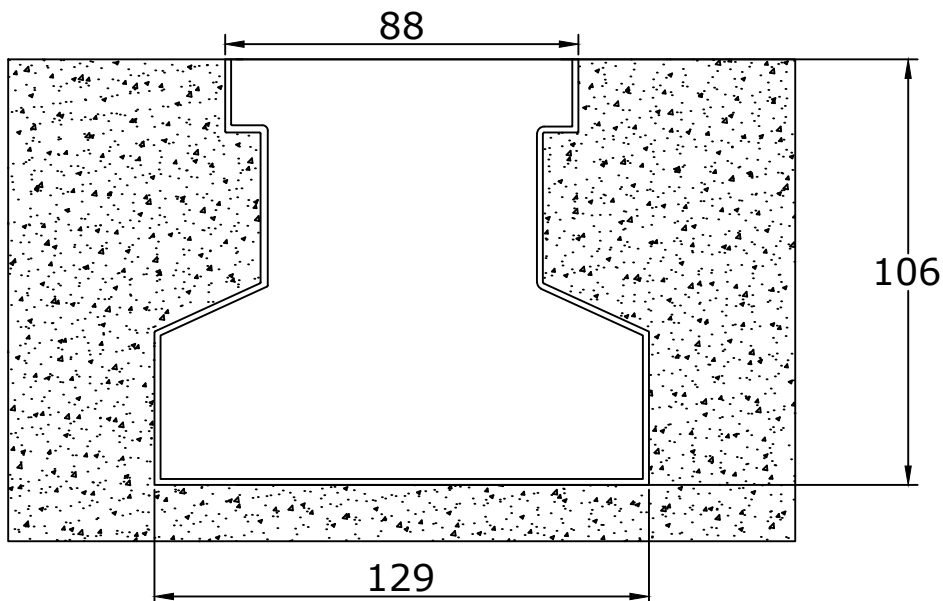


## INSTALLATION INSTRUCTIONS

## DISCLAIMER

1. Turn off electrical power before starting the installation of the light fixture.
2. The feeding voltage must not exceed the specified fixture voltage.
3. This product must be installed by an eligible electrician.
4. Make sure the luminaire is mounted to a secure structure. Failure to mount the fixture correctly could result in serious injury.
5. The light source of this is not replecable, When light source reach the end of life the whole luminaire shall be replaced
6. Wear gloves and safety glasses at all times when removing the luminaire from carton, installing, servicing or performing maintenance
7. Do not install damaged product! This luminaire is properly packed to avoid being damaged during transit. Inspect to confirm before installation. Any damaged or broken part during or after assembly should be replaced.
8. Unauthorized repairs or modifications will void warranty.

### Section View:

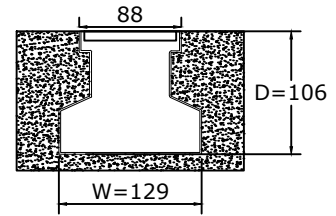
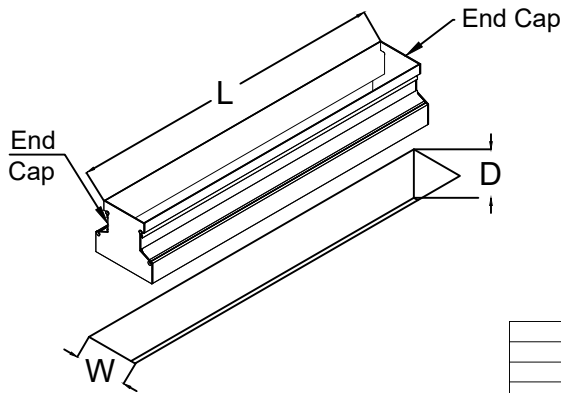


Dimensions in mm

## Product Installation guide

### 1. Make a hole in the ground as per the following table

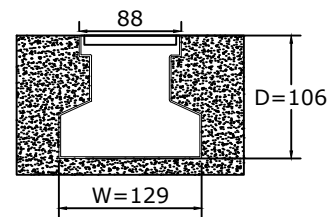
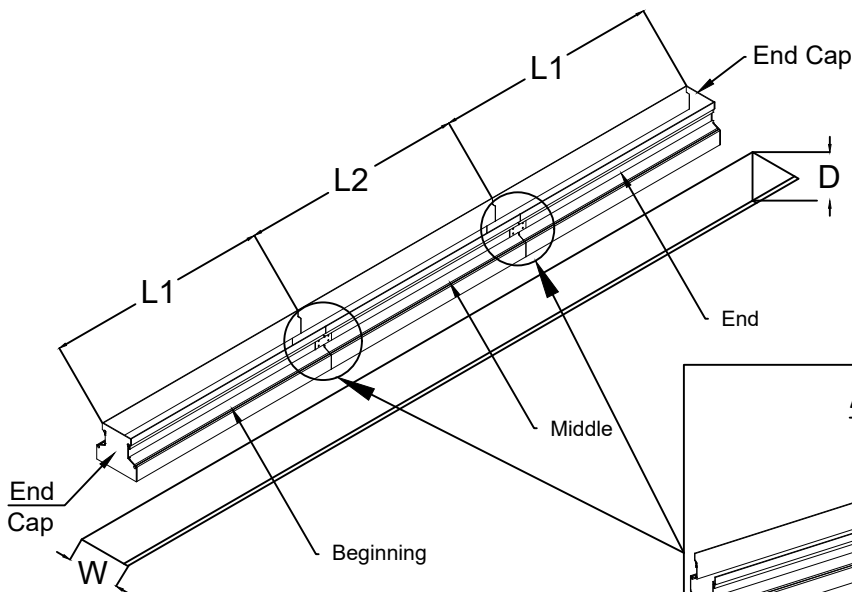
#### Individual Fixture



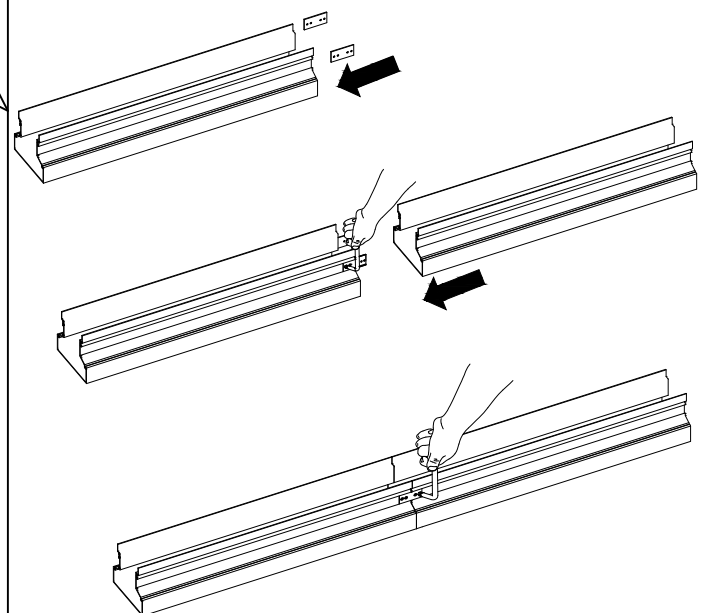
Housing	Length=L
30	317 ±1mm
60	610 ±1mm
90	904 ±1mm
120	1199 ±1mm

\*Housing for individual fixtures have 2 end caps

#### Continuous Run



#### Alignment bracket installation



Housing	Length=L1	Length=L2
30	316 ±1mm	315 ±1mm
60	609 ±1mm	607 ±1mm
90	903 ±1mm	901 ±1mm
120	1198 ±1mm	1196 ±1mm

\*Housing for beginning and end fixtures have 1 end cap

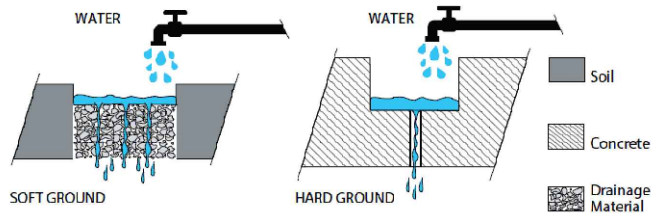
\*Housing for middle fixtures doesn't have end caps

## Product Installation guide

### 2. Prepare water drainage system

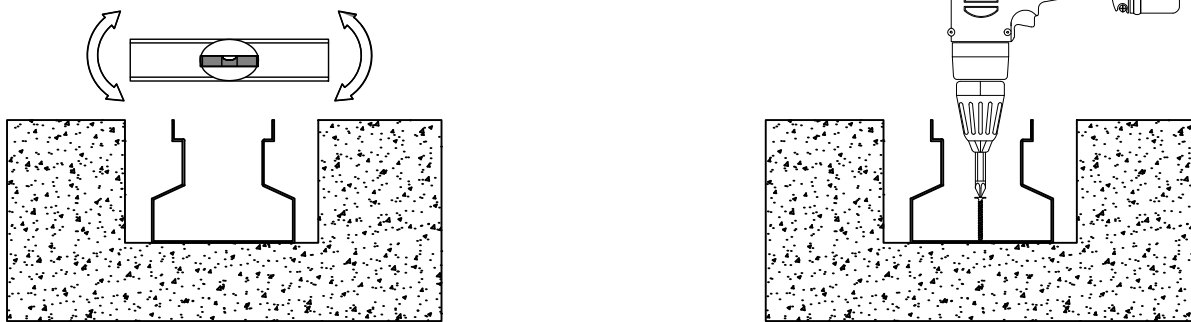
A proper water drainage system is required with a minimum rate of 0.08 GAL (0.33 Liter) per minute per meter as shown below:

Length	Minimum Drainage Rate
1 ft (30cm)	0.026 gal/min (0.1 l/min)
2 ft (60cm)	0.053 gal/min (0.2 l/min)
3 ft (90 cm)	0.079 gal/min (0.3 l/min)
4 ft (120 cm)	0.105 gal/min (0.4 l/min)
5 ft (150 cm)	0.132 gal/min (0.5 l/min)

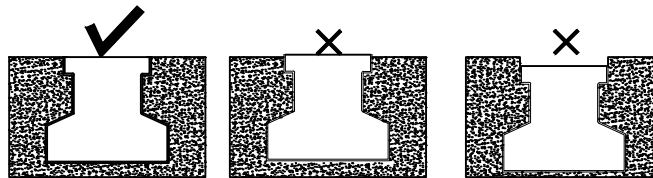


**WARNING :**  
FAILURE TO PROVIDE  
PROPER DRAINAGE  
WILL VOID PRODUCT  
WARRANTY

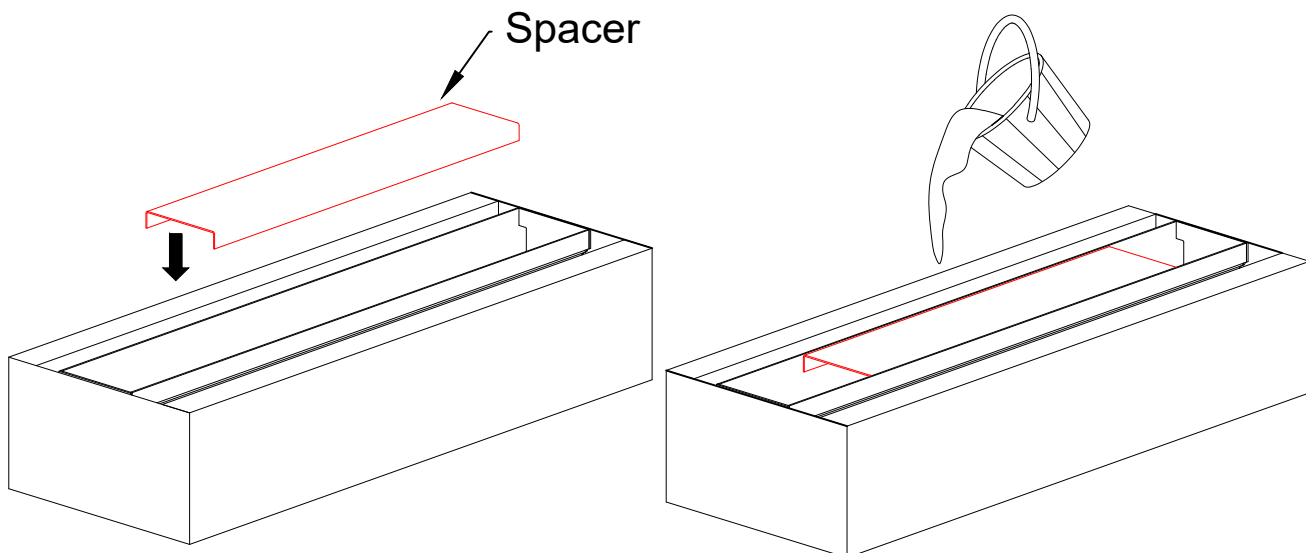
### 3. Put the housing in the hole and screw it



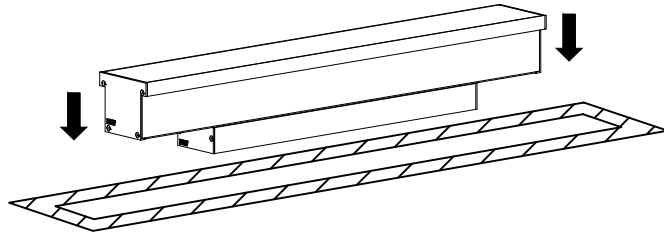
### 4. Make Sure the surface of the housing is flushed with the ground



### 5. Housing spacer should be used during installation to avoid housing aperture being deformed by accident

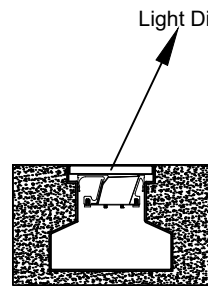


## 6. Put the luminaire in the housing

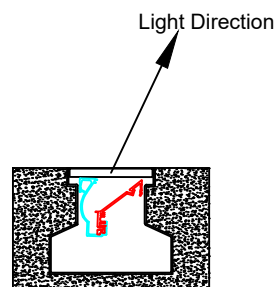


### Light direction and the power feeding for asymmetrical optics:

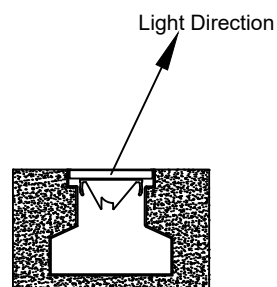
Below section views shows the light direction and the power feeding location for the asymmetrical optic.



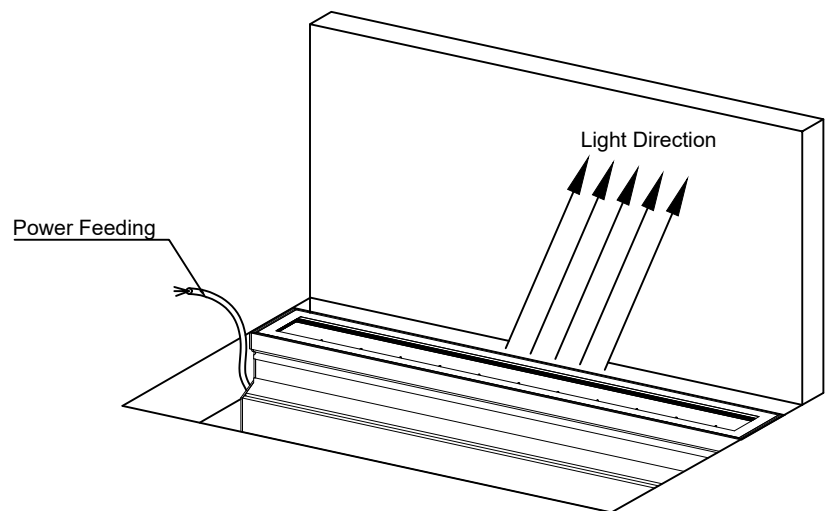
Grazing Baffles



CutOff Washer

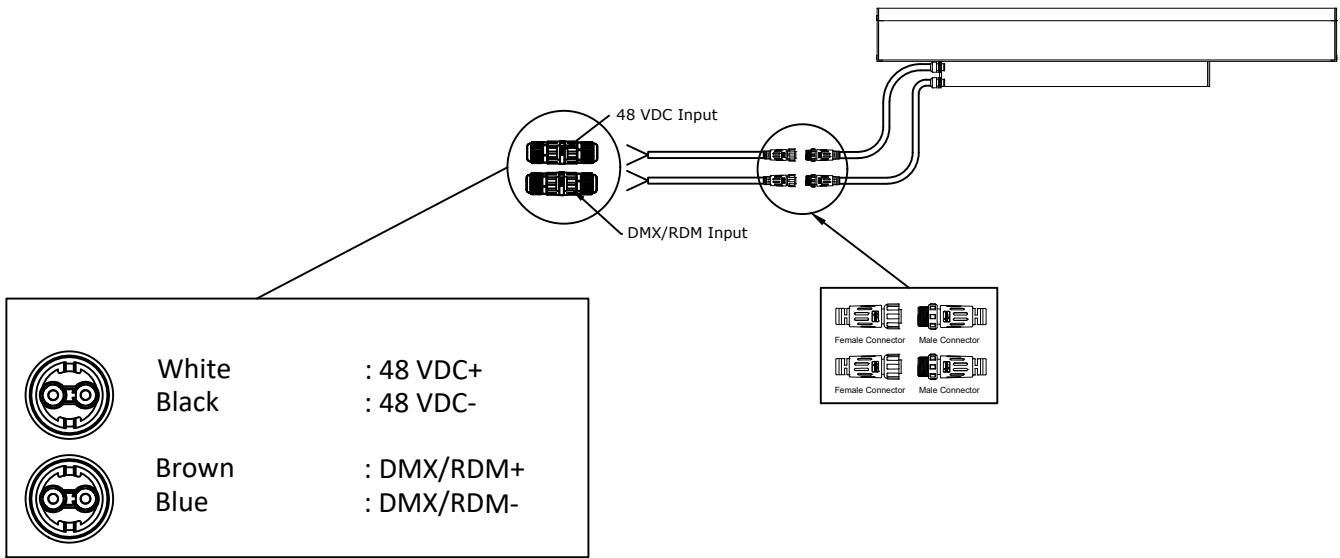


Asymmetrical Lens

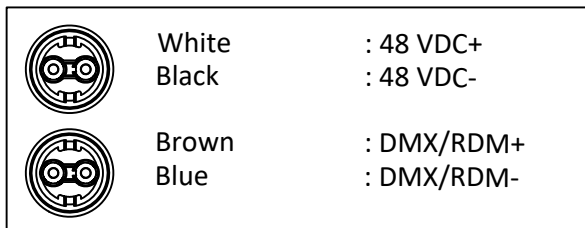
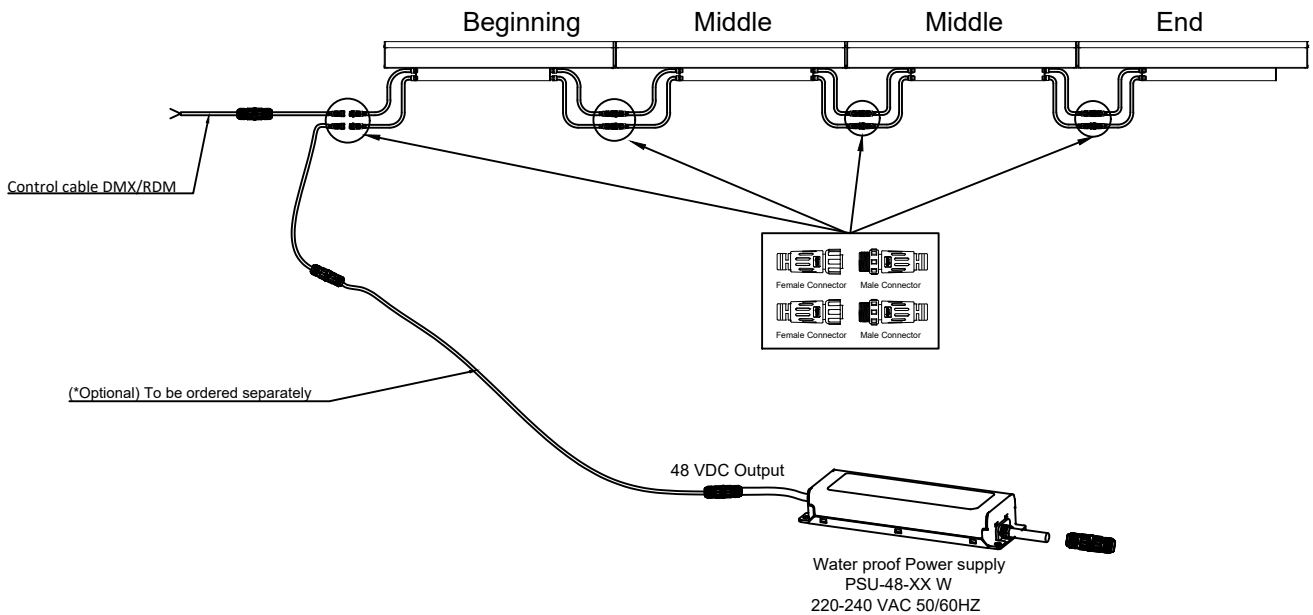


## Product Installation guide

### Electrical wiring for Individual



### Electrical wiring for Continuous Run



Power input-220-240V~ 50/60 Hz			
Power Supply	Power P1(25W/m)	Power P2(36W/m)	Power P3(50W/m)
75W-48VDC	2.6 m	1.8 m	1.3 m
100W-48VDC	3.4 m	2.4 m	1.7 m
150W-48VDC	5.1 m	3.5 m	2.6 m
200W-48VDC	6.8 m	4.7 m	3.4 m



Do not exceed 15 meters cable lengths between Power supply and the Beginning